

# User Manual



Laser Level

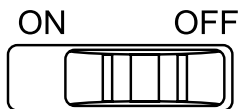
 **RGK** **PR-3M**



## Getting started

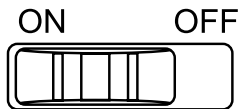
Right: pendulum lock

This instrument is a precision instrument that must be handled with care. When not in use, the pendulum should always be in the "OFF" position. Locking the pendulum allows the instrument to better withstand vibration and prevent possible damage during transport or because of a fall.



Left: automatic leveling

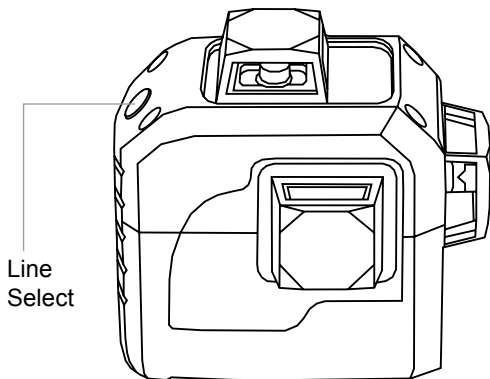
When the pendulum is unlocked "ON", it can be automatically leveled. For the self-leveling function to work, the tilt of the instrument housing must not exceed  $3.5^\circ$ .



## Button functions

Line Select: Pressing the Line Select button will cycle through the options. The sequence is shown below:

- when turned on, the horizontal beam lights up;
- single press simultaneously turns on the horizontal beam and the vertical beam;
- double press simultaneously turns on the horizontal beam and vertical beam;
- pressing three times returns the device to its original position.



## **Additional functions**

When the device is in the pendulum lock mode (switch on the right side), it is possible to select the alignment lock mode by pressing and holding the line selection button for 3 seconds. The device turns on the laser beams in this mode, but the pendulum is locked, and the accuracy is not aligned. In this mode, the device can be used for some special tasks such as leveling stairs. In this mode, the laser beam will flash every 5 seconds. to indicate that self-leveling is off.

### **Light indication**

Out of tilt alarm:

- when the pendulum is unlocked and the tilt of the device does not exceed  $3.5^\circ$ , the device is in self-leveling mode without any LED indication;
- when the tilt of the body exceeds  $3.5^\circ$ , the laser beam starts to flash.

### **Low battery alarm**

The green LED indicator turns on and starts blinking slowly when the operating voltage is  $<4V$ . In this situation, you need to replace the batteries with new ones.

## Specifications

Accuracy	$\pm 2$ mm/10 m
Self-leveling range	$\pm 3,5^\circ$
Working range	20 m (indoor)
Tripod type	1/4"
Laser characteristics	635 nm, laser class II
Working temperature	-10 °C to 50 °C
Storage temperature	-20 °C to 60 °C
Dimensions	122 × 130 × 85 mm
Continuous working time	5 hours (all lasers on)
Dust and moisture protection	IP54
Weight	673 g



**EAC**

**[www.rgk-tools.com](http://www.rgk-tools.com)**